



DIVISION MICROÉLECTRONIQUE (RTC ET SIGNETICS)

Technologies bipolaires et MOS.
Circuits logiques et analogiques, mémoires.
Microprocesseurs, réseaux programmables et prédiffusés.
Cartes standard.

DIVISION TUBES PROFESSIONNELS ET INDUSTRIELS

Photomultiplicateurs et détecteurs nucléaires.
Tubes de prise de vue.
Tubes d'émission et hyperfréquence.
Tubes industriels.

DIVISION SEMICONDUCTEURS

Semiconducteurs petits et grands signaux.
Semiconducteurs de puissance.
Semiconducteurs micro-ondes et émission.
Optoélectronique.

DIVISION RÉSISTANCES, CONDENSATEURS ET MATÉRIAUX

Résistances fixes et non linéaires, potentiomètres.
Condensateurs électrolytiques, film, céramique, ajustables.
Ferrites - Quartz et T.C.X.O.
Lignes à retard.

DIVISION TUBES ET SOUS-ENSEMBLES AUDIO-VIDÉO

Tubes-images noir et blanc et couleurs.
Sous-ensembles audio-vidéo.
Haut-parleurs.
Tubes récepteurs.

DIVISION MOTEURS - CIRCUITS IMPRIMÉS ET SOUS-ENSEMBLES

Circuits imprimés.
Circuits hybrides.
Sous-ensembles électroniques.
Moteurs.

DIRECTIONS COMMERCIALES ET DÉPARTEMENTS DE VENTE

130, AVENUE LEDRU-ROLLIN - 75540 PARIS CEDEX 11 - TÉL. (1) 355.44.99 - TÉLEX : 680.495 F

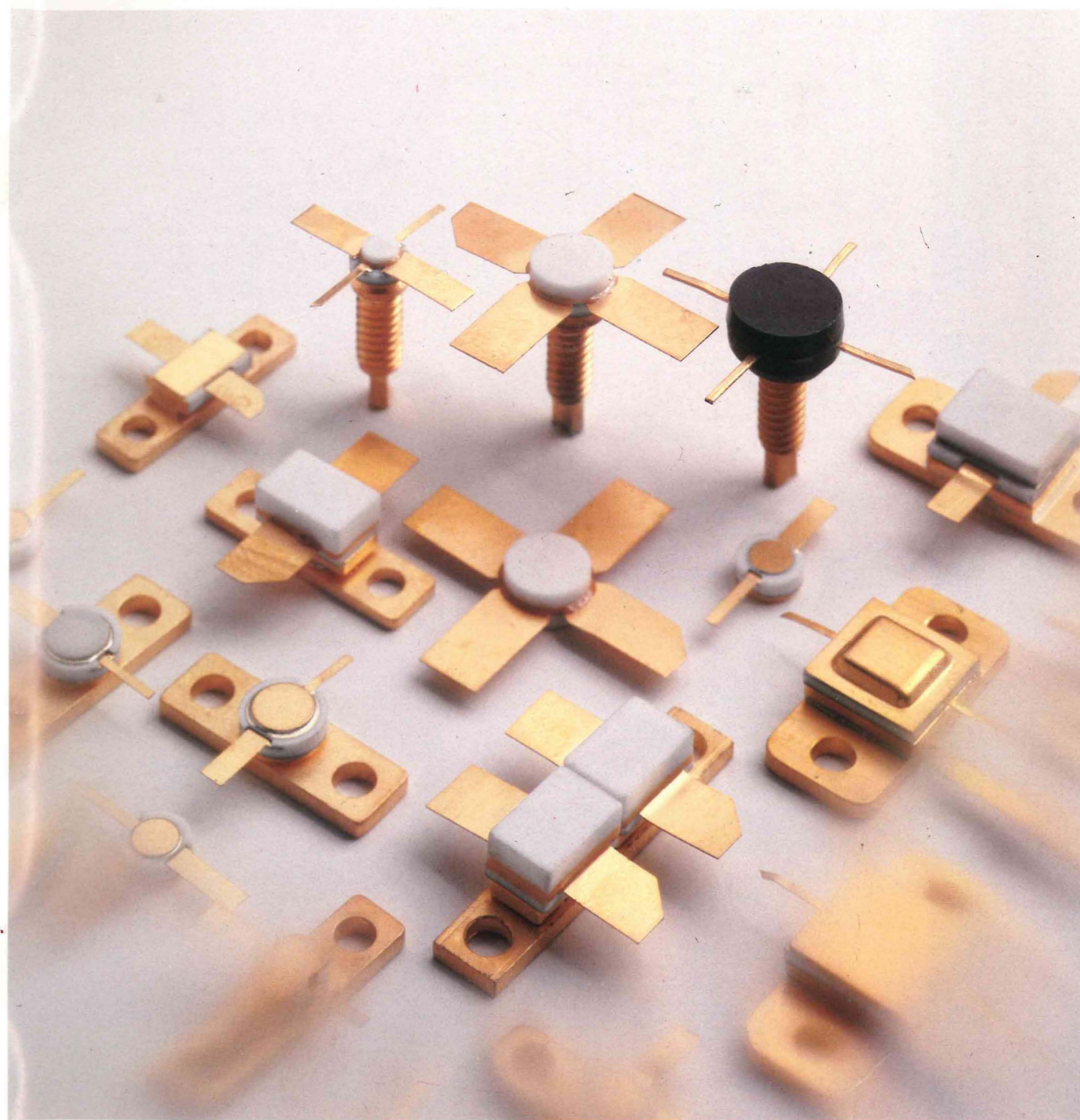
DISTRIBUTEURS AGRÉÉS

• **Région parisienne** : RTF DIFFUSION, Paris 15^e, tél. (1) 531.16.50 - OMNITECH, Suresnes, tél. 772.81.81 - DICOMEL, Antony, tél. 666.21.82
• **Ouest - Centre-Ouest** : SERTRONIQUE, Le Mans, tél. (43) 84.24.60 - Agences : Nantes, tél. (40) 89.42.48; Rennes, tél. (99) 36.07.32; Rouen, tél. (35) 88.00.38 • **Massif Central** : C.S.O. COMPEC, Clermont-Ferrand, tél. (73) 91.70.77 • **Sud-Ouest** : C.S.O. COMPEC, Bordeaux, tél. (56) 96.50.78 - Agence : Département CEDSO Toulouse, tél. (61) 41.16.99 • **Midi - Languedoc - Provence - Côte d'Azur** : C.S.O. COMPEC, Marseille 14^e, tél. (91) 02.73.61 • **Nord** : SANELEC ÉLECTRONIQUE, Marcq-en-Barœul, tél. (20) 98.92.13 • **Est** : INDUSTRONIC - Département de HOHL et DANNER, Mundolsheim, tél. (88) 20.90.11 • **Bourgogne et Val-de-Loire** : MORIN-INDUSTRIE, La Chapelle-St-Luc (Troyes), tél. (25) 43.15.48 - Agence : St-Jean-de-la-Ruelle, tél. (38) 88.23.23 • **Rhône-Alpes** : RHONALCO, Lyon 3^e, tél. (78) 53.00.25 - Agence : Grenoble, tél. (76) 41.03.93 • **Distributeurs spécialisés** : « **Moteurs** » : TECHNIQUES D'AUTOMATISME, Argenteuil, tél. 981.52.62 - « **Ferrites** » : OMNITECH, Suresnes, tél. 772.81.81.

RTC LA RADIOTECHNIQUE-COMPELEC - S.A. AU CAPITAL DE 300 MILLIONS DE FRANCS - R.C.S. NANTERRE B 672.042.470 - SIÈGE SOCIAL : 51, RUE CARNOT - 92150 SURESNES
USINES ET LABORATOIRES : SURESNES-CAEN-DREUX-ÉVREUX - AD. TÉLÉGRAPH. : TUBELEC-PARIS 0.12 - SIRET 672.042.470.00084 - APE 2916 - C.C.P. PARIS 11.773.32

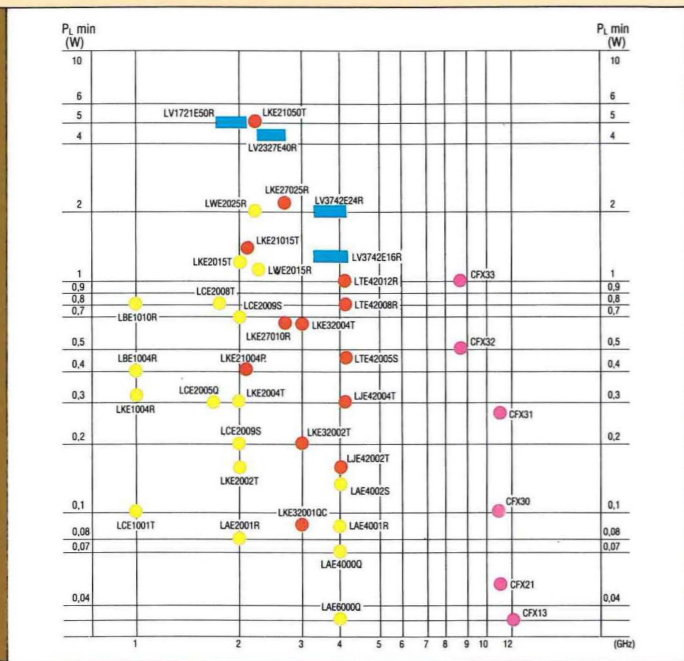
Ces informations sont données à titre indicatif et sans garantie quant aux erreurs ou omissions. Leur publication n'implique pas que la matière exposée soit libre de tout droit de brevet et ne confère aucune licence de tout droit de propriété industrielle, R.T.C. LA RADIOTECHNIQUE-COMPELEC n'assurant en outre aucune responsabilité quant aux conséquences de leur utilisation. Ces caractéristiques pourront éventuellement être modifiées sans préavis, et leur publication ne constitue pas une garantie quant à la disponibilité du produit. Ces informations ne peuvent être reproduites par quelque procédé que ce soit, en tout ou partie, sans l'accord écrit de R.T.C. LA RADIOTECHNIQUE-COMPELEC.

TRANSISTORS MICRO-ONDES



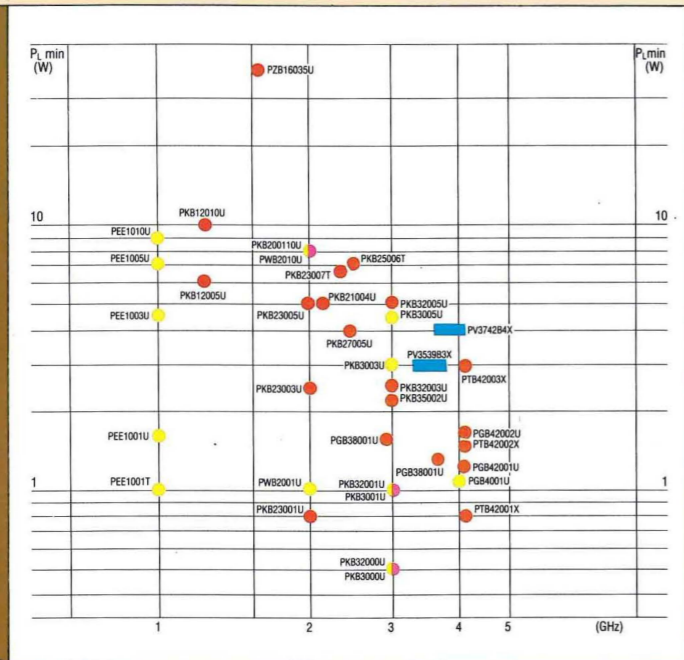
130, AVENUE LEDRU-ROLLIN - 75540 PARIS CEDEX 11 - TEL (1) 355.44.99 - TELEX : 680.495 F

CLASS A APPLICATIONS



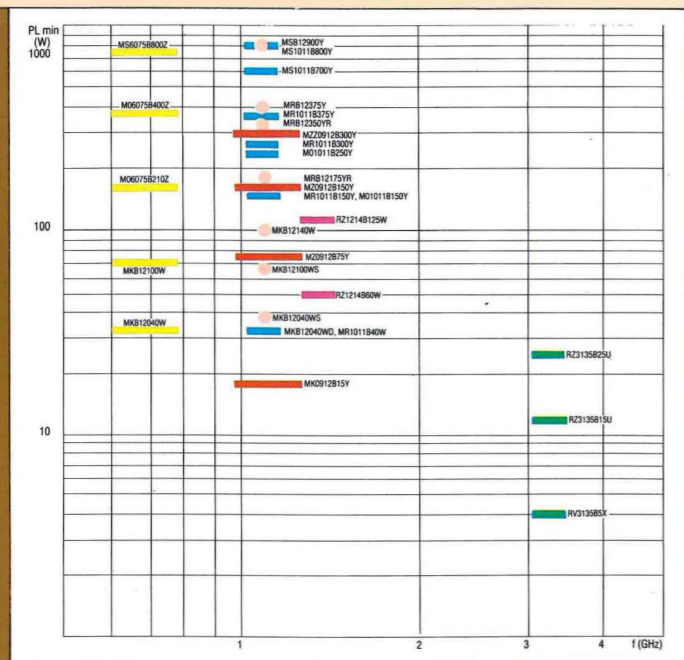
- Bipolar transistors without matching cell
- Bipolar transistors with input matching cell
- Bipolar transistors with input and output matching cell
- GaAs FETs without matching cell

C. W. CLASS B APPLICATIONS



- Bipolar transistors without matching cell
- Bipolar transistors with input matching cell
- Bipolar transistors with input and output matching cell

PULSED POWER TRANSISTORS



- for RADAR and NAVIGATIONAL AIDS
- IFF
f = 600 to 750 MHz;
t_{on} = 10 us; δ = 1%.
- TACAN
f = 960 to 1215 MHz;
t_{on} = 10 us; δ = 10%.
- DME
f = 1025 to 1150 MHz;
t_{on} = 10 us; δ = 1%.
- J-Band RADAR
f = 1200 to 1400 MHz;
t_{on} = 100 us; δ = 10%.
- S-Band RADAR
f = 3100 to 3500 MHz;
t_{on} = 100 us; δ = 10%.
- IFF
f = 1090 MHz;
t_{on} = 10 us; δ = 1%.

The bipolar silicon transistors and GaAsFETs listed here are for frequencies from 1 GHz to 16 GHz. Only the most important data are given; complete information on each of the listed types is published in individual data sheets which can be had on request.

The output and gain figures given here are minimum values obtained from tests of every specimen of each type on a test fixture; when an individual specimen is soldered into a well-designed circuit, the performance obtained will normally be superior.

The bipolar silicon transistors

covering frequencies up to about 5 GHz, are for use in linear amplifiers, oscillators, and CW class B amplifiers, and for pulsed operation in radar and navigation aids. Our linear and class B amplifier transistors have the highest power-frequency product of any available; for example, 2,4 W linear or 4 W class B in the 3,7 - 4,2 GHz band.

Features that contribute to the superior performance of these transistors include:

- multi-cell geometry, for good dissipation balance and low thermal resistance
- diffused emitter ballast resistors, to prevent current crowding and allow high VSWRs
- silicon nitride passivation, for maximum protection and to serve as a mask for emitter and base implantation
- interdigitated base-emitter structure, for higher emitter efficiency
- ion implantation of base and emitter, for shallow, closely controlled doping profiles, resulting in higher gain and efficiency
- local oxidation surrounding the base area, to minimize parasitic capacitance and increase reliability by eliminating abrupt metallization steps
- TiPtAu metallization by electron-gun deposition and back-sputtering, for ultra-fine interconnections and high reliability at high temperature
- minimum dimensional tolerances, due to a self-aligning process using a single mask for emitter and base apertures.

The GaAs FETs

using equally advanced technology, include low-noise transistors for frequencies up to 16 GHz and linear power transistors able to deliver 1 W at 8,5 GHz. Recessed as well as planar gate structures are used, and all active areas are protected by silicon oxide.

Internal prematching networks

included in most of the high-power transistors facilitate matching in wideband amplifiers and increase efficiency and power gain by reducing losses in external matching networks. Input-only prematching restricts operation of the transistor above the stated test frequency; input-and-output prematching restricts operation outside the stated frequency band. We will gladly consider your requests for transistors prematched to frequencies other than those mentioned.

Quality and reliability

are designed-in and assured by rigorous testing. High-reliability test programmes and screening procedures patterned after MIL-S-19500, MIL-STD-750 and MIL-STD-883 are available.

Non-standard packages

and unpackaged chips can be supplied to special request. Please consult us about your requirements.

CLASS A BIPOLAR POWER TRANSISTORS

WITHOUT PREMATCHING

Type No.	Package	Pinning				Microwave Performance					Characteristics				Maximum Ratings							Type No.				
						f	V _{CE}	I _C	P _{L1}	G _{PO}	I _{CBO}	V _{CB}	C _{CB}	V _{CB}	h _{FE}	V _{CE}	I _C	V _{CBO}	V _{EBO}	V _{CEO}	I _C		P _{tot}	T _i	T _{stg}	R _{th}
		GHz	V	mA	min mW	min dB	max μA	V	typ pF	V	typ	V	V	V	V	V	mA	W	°C	°C	K/W					
LBE1001T LCE1001T	F045 F046	C	B	E		1	20	35	100	10	.01	15	.55	20	80	1	10	35	2.5	22	160	.72	175	-65-+150	120	LBE1001T LCE1001T
LBE1004R LCE1004R	F045 F046	C	B	E		1	15	100	400	8	200	20	1.7	14	80	5	75	30	3	14	400	3.0	200	-65-+150	30	LBE1004R LCE1004R
LBE1010R LCE1010R	F045 F046	C	B	E		1	15	200	800	7	400	20	2	14	80	5	75	30	3	14	800	6.0	200	-65-+150	17	LBE1010R LCE1010R
LKE1004R	F053	C	B	E		1	15	100	310	8	200	20	1.5	14	80	5	75	30	3	14	400	3.0	200	-65-+200	30	LKE1004R
LAE2001R	SOT100	C	E	B	E	2	15	35	80	8	.01	15	.5	10	80	1	10	35	2.5	22	60	.8	200	-65-+200	180	LAE2001R
LBE2003S LCE2003S	F045 F046	C	B	E		2	18	30	200	10	.1	20	.3	18	80	5	30	40	3	16	90	1.4	200	-65-+150	65	LBE2003S LCE2003S
LBE2005Q LCE2005Q	F045 F046	C	B	E		1.65	12	80	300	7	5	20	1	10	120	5	65	30	3	16	400	1.5	200	-65-+150	45	LBE2005Q LCE2005Q
LBE2008T LCE2008T	F045 F046	C	B	E		1.65	20	150	800	6	100	20	1.3	20	100	5	150	30	3	14	300	3.5	200	-65-+150	26	LBE2008T LCE2008T
LBE2009S LCE2009S	F045 F046	C	B	E		2	18	110	700	9	.1	20	.6	18	100	5	110	40	3	16	250	3.5	200	-65-+150	36	LBE2009S LCE2009S
LKE2002T	F053	C	B	E		2	15	70	150	7	50	28	.8	20	100	5	70	45	3	20	80	1.5	200	-65-+200	45	LKE2002T
LKE2004T	F053	C	B	E		2	15	140	300	6.5	100	28	1.5	20	100	5	140	45	3	20	160	3.0	200	-65-+200	22	LKE2004T
LKE2015T	F053	C	B	E		2	20	200	1250	7.5	300	20	3.5	20	80	5	200	45	3.5	20	800	8.0	200	-65-+200	11	LKE2015T
LWE2015R	F093	C	B	E		2.3	16	250	1200	7.5	10	25	2	16	40	5	230	35	3.5	16	450	6.0	200	-65-+200	12	LWE2015R
LWE2025R	F093	C	B	E		2.3	16	400	2000	7	15	25	3	16	40	5	400	35	3.5	16	800	8.0	200	-65-+200	8	LWE2025R
LAE4000Q	SOT100	C	E	B	E	4	15	30	70	4.7	100	30	.4	15	100	5	10	30	3	15	140	.7	200	-65-+200	180	LAE4000Q
LAE4001R	SOT100	C	E	B	E	4	15	25	85	8.5	.1	15	.25	15	100	5	25	30	2	16	80	.48	200	-65-+200	210	LAE4001R
LAE4002S	SOT100	C	E	B	E	4	18	30	125	7.5	.1	20	.3	18	80	5	30	40	3	16	90	.625	200	-65-+200	200	LAE4002S
LAE6000Q*	SOT100	C	E	B	E	2	10	4	NF _{typ} 1.8 dB	Ga _{typ} 12 dB	.1	10	.15	10	110	10	4	25	2	12	15	.150	200	-65-+200	300	LAE6000Q*

* low noise device

MICROWAVE TRANSISTORS

CLASS A BIPOLAR POWER TRANSISTORS

WITH INPUT PREMATCHING

Type No.	Package	Pinning			Microwave Performance					Characteristics				Maximum Ratings								R _{th} K/W	Type No.		
					f	V _{CE}	I _C	P _{L1}	G _{PO}	I _{CBO}	V _{CB}	C _{CB}	V _{CB}	h _{FE}	V _{CE}	I _C	V _{CBO}	V _{EBO}	V _{CEO}	I _C	P _{tot}			T _j	T _{stg}
		GHz	V	mA	min mW	min dB	max μA	V	typ pF	V	typ	V	mA	V	V	V	mA	T _{mb} = 75°C W	°C	°C					
LKE21004R	F053	C	B	E	2.1	15	140	400	8	100	15	2	10	100	5	140	30	3	14	600	2.8	200	-65-+200	22	LKE21004R
LKE21015T	F053	C	B	E	2.1	20	300	1500	8	25	20	3.5	20	40	5	250	45	3.5	22	800	8	200	-65-+200	11	LKE21015T
LKE21050T	F053	C	B	E	2.1	20	1200	5000	7	75	20	9	20	40	5	500	45	3.5	22	3000	30	200	-65-+200	4	LKE21050T
LKE27010R	F053	C	B	E	2.7	16	200	630	7	200	25	3.4	10	100	5	200	35	3	12	550	5	200	-65-+200	12	LKE27010R
LKE27025R	F053	C	B	E	2.7	16	650	2150	6.5	500	20	10	10	150	5	500	35	3	15	1500	15	200	-65-+200	6	LKE27025R
LKE32001QC	F053	C	B	E	3	12	50	90	7	5	20	1	10	100	5	50	45	3.5	20	400	1.5	200	-65-+200	45	LKE32001QC
LKE32002T	F053	C	B	E	3	20	65	200	8	5	20	.85	20	150	5	65	45	3.5	20	400	1.5	200	-65-+200	45	LKE32002T
LKE32004T	F053	C	B	E	3	20	130	630	8	10	20	1.8	20	150	5	130	45	3.5	20	800	3	200	-65-+200	22	LKE32004T
LJE42002T	F041A	C	B	E	4	20	65	150	5.8	5	20	.7	20	100	5	65	45	3.5	20	400	1.5	200	-65-+200	41	LKE42002T
LJE42004T	F041A	C	B	E	4.15	20	125	300	6	150	30	1.3	10	50	5	125	45	3.5	23	400	2.8	200	-65-+200	22	LKE42004T
LTE42005S	F041B	C	B	E	4.2	18	110	450	6.6	.1	20	.5	20	80	5	110	40	3	16	250	4	200	-65-+200	36	LKE42005S
LTE42008R	F041B	C	B	E	4.2	16	250	800	7	150	20	2	16	80	5	250	40	3	16	450	6	200	-65-+200	12	LKE42008R
LTE42012R	F041B	C	B	E	4.2	16	400	1000	6	200	20	3	16	80	5	400	40	3.5	16	800	8	200	-65-+200	10	LKE42012R

CLASS A BIPOLAR POWER TRANSISTORS

WITH INPUT AND OUTPUT PREMATCHING

Type No.	Package	Pinning			Microwave Performance					Characteristics				Maximum Ratings								R _{th} K/W	Type No.		
					f	V _{CE}	I _C	P _{L1}	G _{PO}	I _{CBO}	V _{CB}	C _{CB}	V _{CB}	h _{FE}	V _{CE}	I _C	V _{CBO}	V _{EBO}	V _{CEO}	I _C	P _{tot}			T _j	T _{stg}
		GHz	V	mA	min W	min dB	max μA	V	typ pF	V	typ	V	mA	V	V	V	mA	T _{mb} = 75°C W	°C	°C					
LV1721E50R	F083	C	B	E	1.7 to 2.1	16	1000	5	7	500	20	7	16	30	3	1000	40	3.5	15	2000	18	200	-65-+200	4	LV1721E50R
LV2327E40R	F083	C	B	E	2.3 to 2.7	16	1000	4.5	7	500	20	7	16	30	3	1000	40	3.5	15	2000	18	200	-65-+200	4	LV2327E40R
LV3742E16R	F083	C	B	E	3.7 to 4.2	16	500	1.3	5.5	300	20	4	16	30	3	500	40	3.5	15	1000	12	200	-65-+200	6.5	LV3742E16R
LV3742E24R	F083	C	B	E	3.7 to 4.2	16	800	2	5	400	20	6	16	30	3	800	40	3.5	16	1500	15	200	-65-+200	5	LV3742E24R

CLASS B BIPOLAR POWER TRANSISTORS

WITHOUT PREMATCHING

Type No.	Package	Pinning				Microwave Performance					Characteristics				Maximum Ratings							R _{th} K/W	Type No.
						f GHz	V _{CC} V	P _L min W	G _p min dB	η _c min %	I _{CB0} max μA	V _{CB} V	C _{CB} typ pF	V _{CB} V	V _{CB0} V	V _{EBO} V	V _{CEO} V	I _c mA	P _{tot} T _{mb} = 75°C W	T _j °C	T _{stg} °C		
		1	2	3	4																		
PEE1001T PDE1001T	F038 F058	C	E	B	E	1	18	1	5	40	100	15	4	20	45	3	20	250	3.5	200	-65-+150	35	PEE1001T PDE1001T
PEE1001U PDE1001U	F038 F058	C	E	B	E	1	28	1.5	6	55	50	30	1.3	30	39	3.5	20	250	5	200	-65-+150	25	PEE1001U PDE1001U
PEE1003U PDE1003U	F038 F058	C	E	B	E	1	28	3.7	5.9	49	100	30	1.5	30	39	3.5	20	450	7	200	-65-+150	18	PEE1003U PDE1003U
PEE1005U PDE1005U	F038 F058	C	E	B	E	1	28	7	5.4	53	200	30	2.6	30	39	3.5	20	900	12.5	200	-65-+150	10	PEE1005U PDE1005U
PEE1010U PDE1010U	F038 F058	C	E	B	E	1	28	9	6.5	60	1000	30	5	30	45	3.5	22	1000	20	200	-65-+150	6	PEE1010U PDE1010U
PWB2001U	F093	C	E	B		2	28	1	9	35	100	28	2.5	28	45	3	20	300	4.5	200	-65-+200	22	PWB2001U
PWB2010U	F093	C	E	B		2	28	8	9	29	250	28	10	28	45	3.5	22	2000	25	200	-65-+200	4.5	PWB2010U
PKB3000U	F053	C	E	B		3	28	.5	8	25	50	28	2.5	28	45	3	20	80	1.5	200	-65-+200	45	PKB3000U
PKB3001U	F053	C	E	B		3	28	1	9	30	100	28	2.7	28	45	3	20	160	3	200	-65-+200	22	PKB3001U
PKB3003U	F053	C	E	B		3	28	3	6	30	150	28	4	28	45	3	20	900	11	200	-65-+200	11	PKB3003U
PKB3005U	F053	C	E	B		3	28	4.6	4.9	26	500	28	6.3	28	45	3	20	1500	18	200	-65-+200	7	PKB3005U
PGB4001U	F049A	C	E	B		4	28	1.1	4.4	30	75	20	2	28	40	3.5	18	400	4.5	200	-65-+200	22	PGB4001U

CLASS B BIPOLAR POWER TRANSISTORS

WITH INPUT AND OUTPUT PREMATCHING

Type No.	Package	Pinning				Microwave Performance					Characteristics				Maximum Ratings							R _{th} K/W	Type No.
						f GHz	V _{CC} V	P _L min W	G _p min dB	η _c min %	I _{CB0} max μA	V _{CB} V	C _{CB} typ pF	V _{CB} V	V _{CB0} V	V _{EBO} V	V _{CEO} V	I _c A	P _{tot} T _{mb} = 75°C W	T _j °C	T _{stg} °C		
		1	2	3	4																		
PZ1418B30U	F057C	C	E	B		1.4 to 1.8	28	27	7.3	38	5000	30	(1)		40	3	15	4	45	200	-55 + 200	2.2	PZ1418B30U
PZ1721B25U	F057C	C	E	B		1.7 to 2.1	28	25	7	35	5000	30	(1)		40	3	15	4	45	200	-55 + 200	2.2	PZ1721B25U
PZ2024B20U	F057C	C	E	B		2 to 2.4	28	20	6	35	5000	30	(1)		40	3	15	4	45	200	-55 + 200	2.2	PZ2024B20U
PV2327B15X	F083	C	E	B		2.3 to 2.7	24	12	4.7	33	150	24	(1)		40	3.5	15	2	40	200	-55 + 200	3	PV2527B15X
PV2831B12X	F083	C	E	B		2.8 to 3.1	24	10	4.7	30	150	24	(1)		40	3.5	15	2	40	200	-55 + 200	3	PV2831B12X
PV3539B3X	F083	C	E	B		3.5 to 3.9	22	3	6	27	30	24	(1)		40	3.5	15	.75	14.5	200	-55 + 200	8.5	PV3539B3X
PV3742B4X	F083	C	E	B		3.7 to 4.2	24	4	6	25	50	24	(1)		40	3.5	15	1	18	200	-55 + 200	6.5	PV3742B4X

CLASS B BIPOLAR POWER TRANSISTORS

WITH INPUT PREMATCHING

Type No.	Package	Pinning			Microwave Performance					Characteristics				Maximum Ratings								R _{th} K/W	Type No.
					f	V _{CC}	P _L	G _p	η _c	I _{CB0}	V _{CB}	C _{CB}	V _{CB}	V _{CB0}	V _{EBO}	V _{CEO}	I _c	P _{tot}	T _j	T _{stg}			
		GHz	V	W	dB	%	μA	V	typ	V	V	V	A	W	°C	°C							
PKB12005U	F053	C	E	B	1.2	28	6	10	40	1000	28	4	28	40	3	20	1.2	10	200	-65-+200	12	PKB12005U	
PKB12010U	F053	C	E	B	1.2	28	10	9	45	100	30	6	28	45	3	20	1.5	18	200	-65-+200	6.5	PKB12010U	
PZB16035U	F057C	C	E	B	1.55	28	35	8	45	5000	30	12	28	40	3	15	4	55	200	-65-+200	2.2	PZB16035U	
PKB23001U	F053	C	E	B	2	28	.8	6	25	100	28	2.1	28	45	3	20	.3	4	200	-65-+200	30	PKB23001U	
PKB23003U	F053	C	E	B	2	28	2.5	8	38	200	28	2.7	28	45	3	20	.6	7.5	200	-65-+200	18	PKB23003U	
PKB23005U	F053	C	E	B	2	28	5	6	43	500	28	5	28	45	3	20	1.5	18	200	-65-+200	7	PKB23005U	
PKB20010U	F053	C	E	B	2	28	8	5	36	100	30	10	28	40	3	20	2	28	200	-65-+200	4	PKB20010U	
PKB21004U	F053	C	E	B	2.1	28	5	5.2	40	300	28	4.5	28	45	3	20	.8	9	200	-65-+200	6.6	PKB21004U	
PKB23007T	F053	C	E	B	2.3	22	6.5	8.1	32	1000	30	10	22	35	3.5	15	1.7	16.5	200	-65-+200	6	PKB23007T	
PKB25006T	F053	C	E	B	2.45	21	7	8.4	35	100	24	10	22	35	3.5	15	1.7	16.5	200	-65-+200	4	PKB25006T	
PKB27005U	F053	C	E	B	2.7	28	4	6	25	1000	30	6.8	30	45	3.5	20	1.7	16.5	200	-65-+200	6	PKB27005U	
PKB38002UC	F053	C	E	B	2.9	25	1.6	7	35	200	28	2.7	28	45	3	20	.8	6.5	200	-65-+200	12	PKB38002UC	
PKB32000U	F053	C	E	B	3	28	.5	8	27	50	28	2.5	28	45	3	20	.2	2.2	200	-65-+200	45	PKB32000U	
PKB32001U	F053	C	E	B	3	28	1	7	30	100	28	3.2	28	45	3	20	.4	4.5	200	-65-+200	22	PKB32001U	
PKB35002U	F053	C	E	B	3	28	2.2	6.5	30	500	40	3.5	30	45	3	20	.8	6.5	200	-65-+200	15	PKB35002U	
PKB32003U	F053	C	E	B	3	28	2.4	5.7	30	300	28	4.5	28	45	3	20	.8	9	200	-65-+200	11	PKB32003U	
PKB32005U	F053	C	E	B	3	28	5	4.7	30	500	28	7	28	45	3	20	2	15	200	-65-+200	6.6	PKB32005U	
PKB38001U	F049A	C	E	B	3.75	26	1.2	4.7	30	150	28	2	28	35	3	15	.4	5	200	-65-+200	20	PGB38001U	
PGB38001UT	F049A	C	E	B	3.75	28	1.2	4.7	30	150	28	2.5	28	35	3	15	.4	5	200	-65-+200	20	PGB38001UT	
PGB42001U	F049A	C	E	B	4.15	28	1.15	4	29	150	28	2	28	35	3.5	15	.4	5	200	-65-+200	20	PGB42001U	
PGB42002U	F049A	C	E	B	4.15	28	1.7	5	18	200	28	2.5	28	35	3	15	.55	10.5	200	-65-+200	12	PGB42002U	
PTB42001X	F041B	C	E	B	4.2	24	.8	5	28	10	24	2.2	24	40	3.5	15	.25	5.5	200	-65-+200	22	PTB42001X	
PTB42002X	F041B	C	E	B	4.2	24	1.6	5	28	20	24	3	24	40	3.5	15	.5	10	200	-65-+200	12	PTB42002X	
PTB42003X	F041B	C	E	B	4.2	24	3	6	30	30	24	3.8	24	40	3.5	15	.75	14.5	200	-65-+200	8.5	PTB42003X	

MICROWAVE TRANSISTORS

BIPOLAR PULSED POWER TRANSISTORS FOR RADAR AND NAVIGATIONAL AIDS

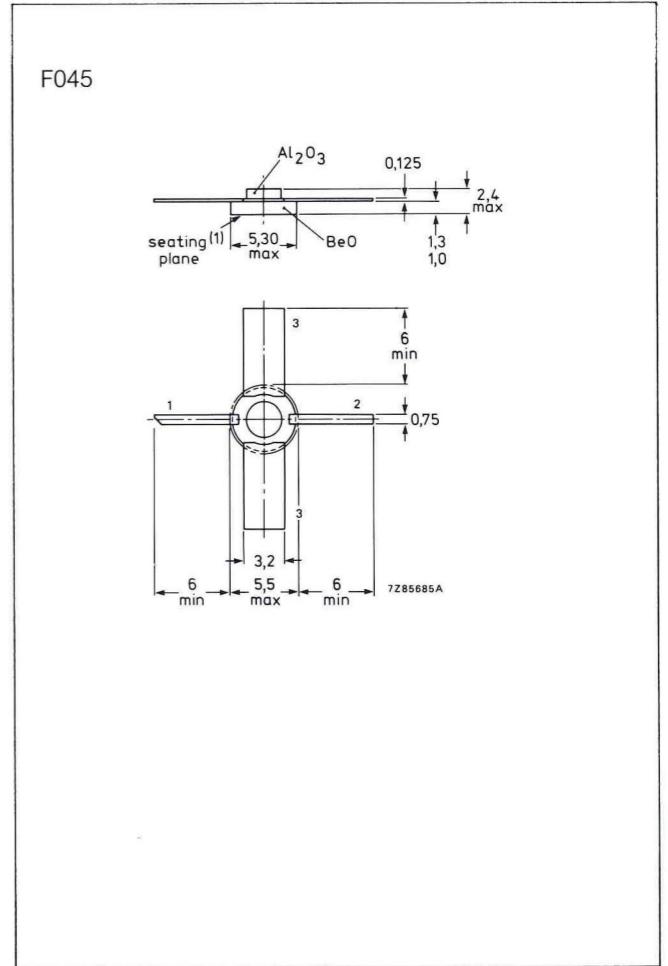
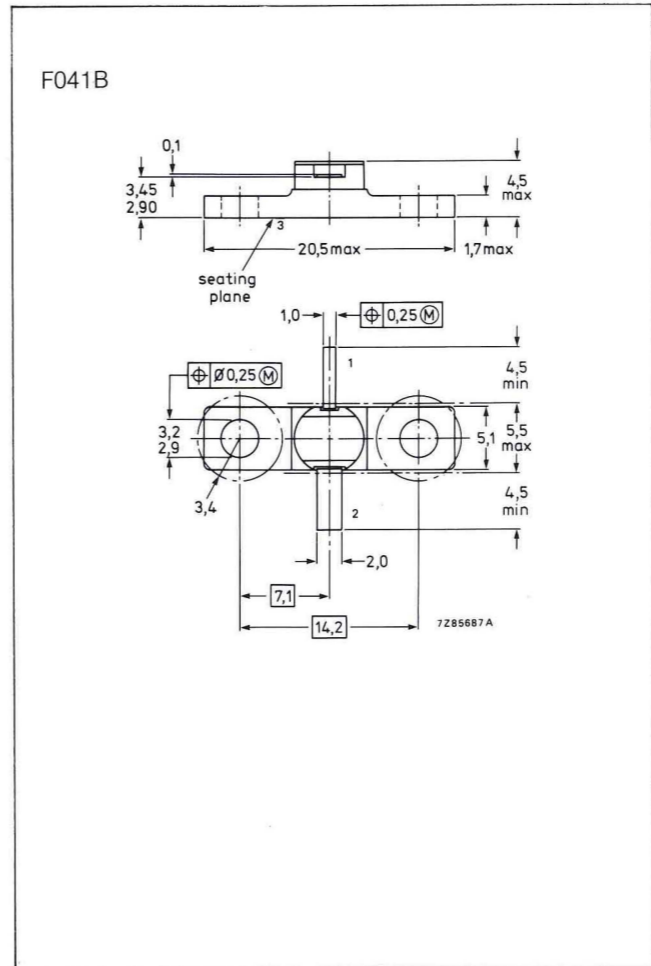
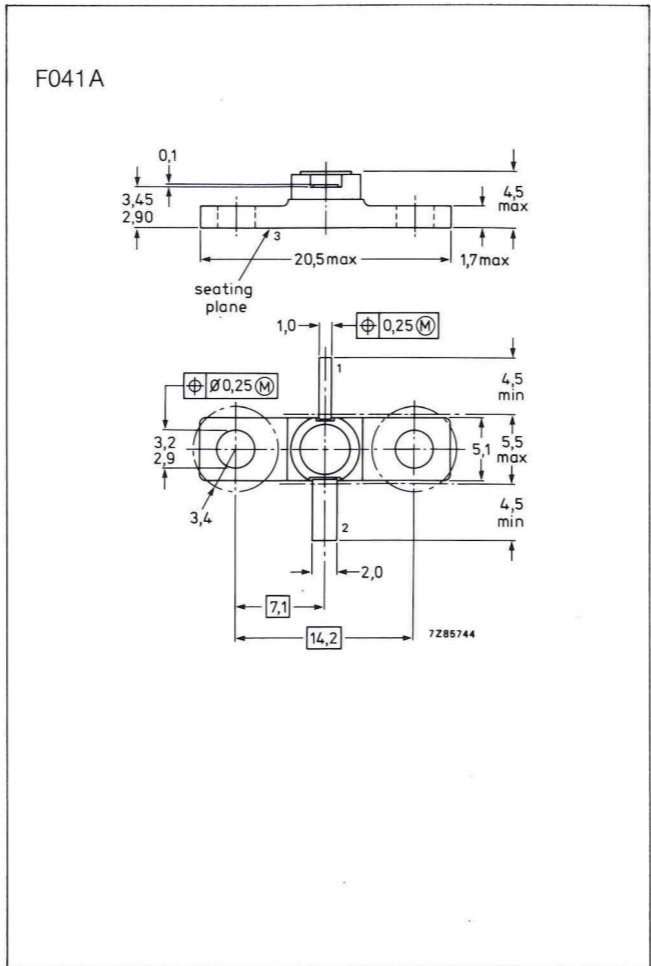
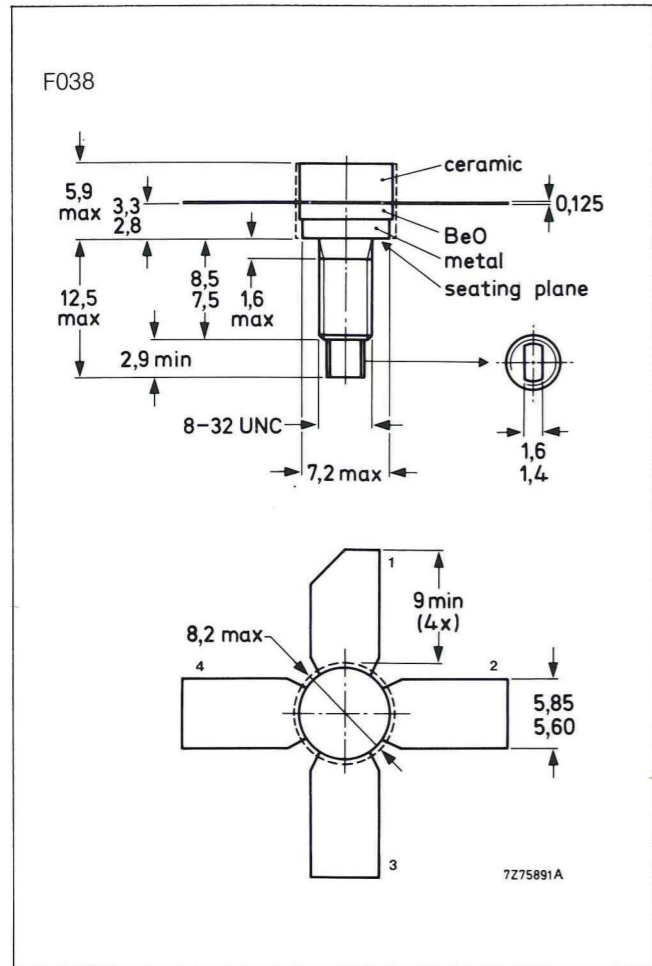
MICROWAVE TRANSISTORS

Type No.	Package	Pinning				Application	Microwave Performance						Characteristics				Maximum Ratings					R _{th} K/W	Type No.			
							f GHz	V _{CC} V	t _{on} us	δ %	P _L min W	G _p min dB	η _c min %	I _{CB0} max. mA	V _{CB} V	C _{CB} typ pF	V _{CB} V	V _{CB0} V	V _{EBO} V	V _{CEO} V	I _c * A			P _{tot} * T _{mb} = 75°C W	T _j °C	T _{stg} °C
		1	2	3	4																					
MKB12040WS	F053	C	E	B		I.F.F.	1.09	45	10	1	37	10.5	42	0.1	30	15	45	55	3	35	3	60	200	-65-+200	8	MKB12040WS
MKB12100WS	F053	C	E	B			1.09	45	10	1	65	7.2	35	1	50	24	45	50	3.5	35	6	140	200	-65-+200	3.5	MKB12100WS
MKB12140W	F053	C	E	B			1.09	45	10	1	100	9	45	2	50	35	45	55	3.5	35	8	190	200	-65-+200	2.5	MKB12140W
MRB12175YR	F067A	C	E	B			1.09	50	10	1	175	8.5	40	5	50	45	50	65	3.5	35	12.5	500	200	-65-+150	.08*)	MRB12175YR
MRB12350YR	F067A	C	E	B			1.09	50	10	1	350	7	32	10	50	90	50	65	3.5	35	25	1000	200	-65-+150	.04*)	MRB12350YR
MRB12375Y	F067B	C	E	B			1.09	50	10	1	400	7.5	35	10	50	60	50	65	3.5	35	25	950	200	-65-+150	.05*)	MRB12375Y
MRB12900Y	F096	C	E	C	E		1.09	50	10	1	800	7.3	30	10	50	2x160	50	65	3.5	35	50	2000	200	-65-+150	.02*)	MSB12900Y
MK312040WD	F053	C	E	B		D.M.E.	1.025	45	10	1	32	8.5	35	0.1	30	15	45	55	3	35	3	60	200	-65-+200	8	MKB12040WD
MR1011B40W	F067A	C	E	B			1.025	45	10	1	32	8.5	35	0.1	30	15	45	55	3	35	3	60	200	-65-+150	8	MR1011B40W
M01011B150Y	F057B	C	E	B			1.025	50	10	1	150	7	35	10	50			65	3.5	35	10	400	200	-65-+200	.2*	M01011B150Y
M01011B250Y	F057B	C	E	B			1.025	50	10	1	250	6.2	35	20	50			65	3.5	35	20	800	200	-65-+200	.1*	M01011B250Y
MR1011B150Y	F067A	C	E	B			1.150	50	10	1	150	7	30	5	50	45	50	65	3.5	35	12.5	500	200	-65-+150	.08*)	MR1011B150Y
MR1011B300Y	F067A	C	E	B			1.150	50	10	1	280	6	28	10	50	90	50	65	3.5	35	25	1000	200	-65-+150	.04*)	MR1011B300Y
MR1011B375Y	F067B	C	E	B			1.150	50	10	1	375	7	30	10	50	60	50	65	3.5	35	25	950	200	-65-+150	.05*)	MR1011B375Y
MS1011B700Y	F096	C	E	C	E		1.150	50	10	1	600	6	30	10	50	2x160	50	65	3.5	35	50	2000	200	-65-+150	.02*)	MS1011B700Y
MS1011B800Y	F096	C	E	C	E		1.150	50	10	1	800	7	30	10	50	2x60	50	65	3.5	35	50	1900	200	-65-+150	.025*)	MS1011B800Y
MK0912B15Y	F053	C	E	B		TACAN	.960	50	10	10	15	10.8	30	0.2	30	15	45	55	3.5	35	1	35	200	-65-+200	.4*)	MK0912B15Y
MZ0912B75Y	F057C	C	E	B			.960	50	10	10	75	7.8	30	5	50			65	3.5	35	7	300	200	-65-+200	.2*)	MZ0912B75Y
MZ0912B150Y	F057C	C	E	B			1.215	50	10	10	150	7	30	10	50			65	3.5	35	14	600	200	-65-+200	.1*)	MZ0912B150Y
MZZ0912B300Y	2F057C	C	E	C	E		1.215	50	10	10	300	7	30	20	50	2x50	50	65	3.5	35	28	1200	200	-65-+200	.05*)	MZZ0912B300Y
MKB12040W	F053	C	E	B		I.F.F.	0.6	48	10	1	32	10.5	30	0.1	30	15	45	55	3	35	3	60	200	-65-+200	8	MKB12040W
MKB12100W	F053	C	E	B			0.6	48	10	1	70	8.5	30	1	50	24	45	50	3.5	35	6	140	200	-65-+200	3.5	MKB12100W
M06075B210Z	F053B	C	E	B			0.75	48	10	1	160	8.1	30	5	45	30	45	60	3	35	10	500	200	-65-+200	.075*)	M06075B210Z
M06075B400Z	F057B	C	E	B			0.75	48	10	1	380	6.8	30	10	48	90	48	60	3	35	32	1200	200	-65-+200	.04*)	M06075B400Z
MS6075B800Z	F096	C	E	C	E	0.75	48	10	1	750	7	30	10	48	2x160	50	70	3	35	50	1800	200	-65-+150	.02*)	MS6075B800Z	
RZ1214B60W	F057C	C	E	B		L-Band Radar	1.2	42	100	10	50	7	30	5	42	28	42	50	3	35	7.5	275	200	-65-+200	2	RZ1214B60W
RZ1214B125W	F057C	C	E	B			1.4	42	100	10	110	5.8	30	10	42	28	42	50	3	35	15	550	200	-65-+200	1	RZ1214B125W
RV3135B5X	F083	C	E	B		S-Band Radar	3.1	24	100	10	4	4.3	30	0.1	24			35	3	15	1	25	200	-65-+200	6.5	RV3135B5X
RZ3135B15U	F057C	C	E	B			3.5	30	100	10	12	4	30	0.5	30			40	2	25	2	53	200	-65-+200	3.5	RZ3135B15U
RZ3135B25U	F057C	C	E	B			3.5	30	100	10	25	4	30	1	30			40	2	25	4	105	200	-65-+200	1.75	RZ3135B25U

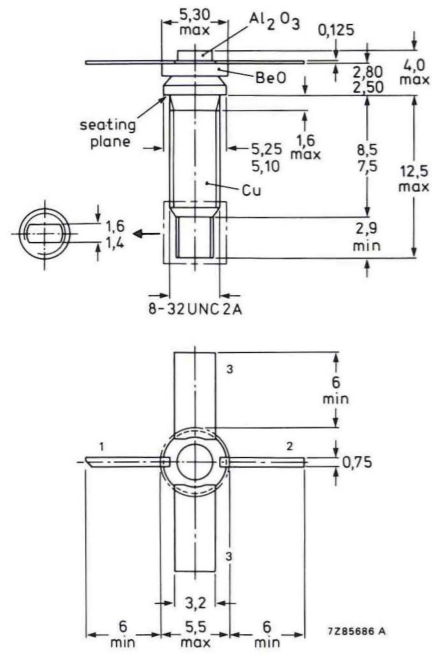
* Note: for t_{on} and δ listed under Microwave Performance.

LOW NOISE AND CLASS A POWER GA AS FETS

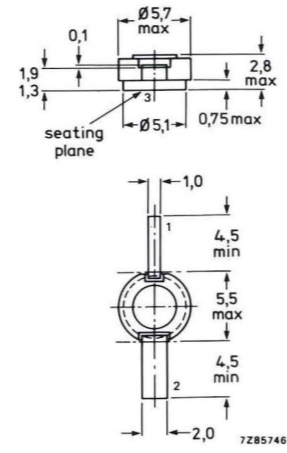
Type No.	Package	Pinning		Microwave Performance									Characteristics						Maximum Ratings					R _{th} K/W	Type No.			
				f GHz	V _{DS} V	I _D mA	P _{L1} min mW	G _{PO} min dB	N _F max dB	G _A min dB	I _{DSS} typ mA	V _{DS} V	V _p typ V	V _{DS} V	I _D mA	g _m typ mA/V	V _{DS} V	I _D mA	V _{DS} V	V _{GS} V	I _{DS} mA	P _{tot} T _{mb} = 75°C W	T _{ch} °C			T _{stg} °C		
																											1	2
CFX13	F092	G	S	D	S	12	3	10			3	6.5	70	3	-3	3	.2	28	3	10	5	-6	100	.3	175	-65-+175	200	CFX13
CFX14	F092	G	S	D	S	16	3	10			3	6	70	3	-3	3	.2	28	3	10	5	-6	100	.3	175	-65-+175	200	CFX14
CFX21	F092	G	S	D	S	11	6	40	50	7			80	3	-4	3	.2	23	6	40	8	-6	110	.5	175	-65-+175	200	CFX21
CFX30	F085	G	D	S		11	8	50	100	7			80	3	-2.5	3	1	50	3	80	15	-2	130	.8	175	-65-+175	100	CFX30
CFX31	F085	G	D	S		11	8	100	250	7			180	3	-4	3	1	50	3	200	15	-12	300	1.25	175	-65-+175	100	CFX31
CFX32	F085	G	D	S		8.5	8	200	500	7			400	3	-4	3	1	120	3	400	15	-12	500	2.5	175	-65-+175	70	CFX32
CFX33	F085	G	D	S		8.5	8	450	1000	6			1000	3	-4	3	1	180	3	800	15	-12	1200	4	175	-65-+175	35	CFX33



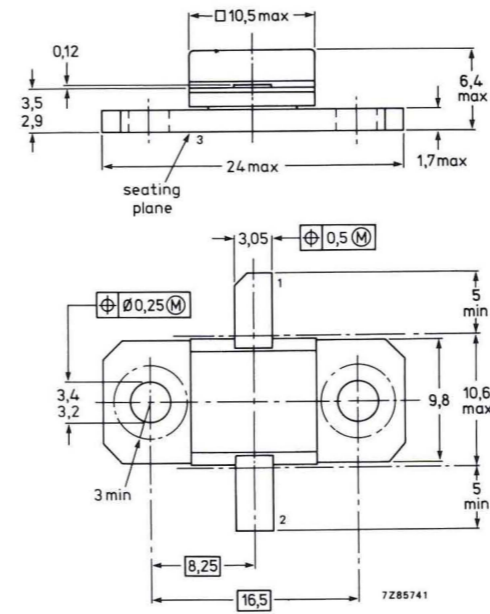
F046



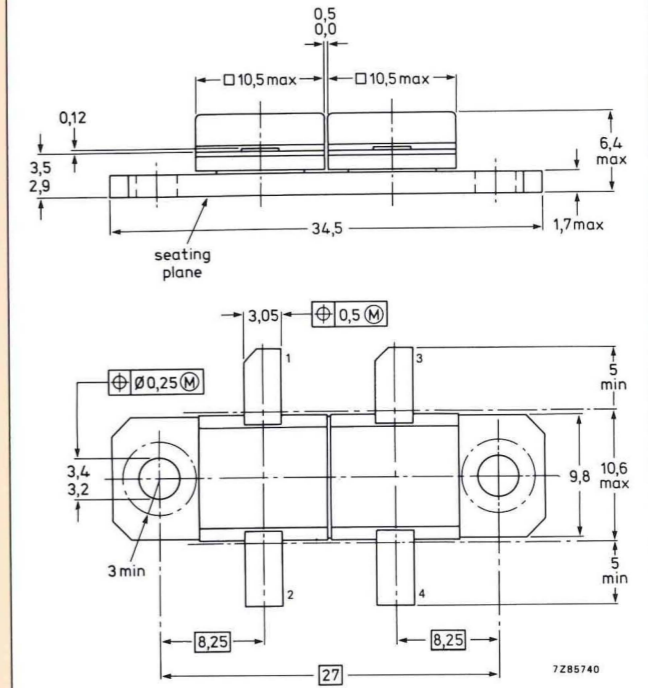
F049A



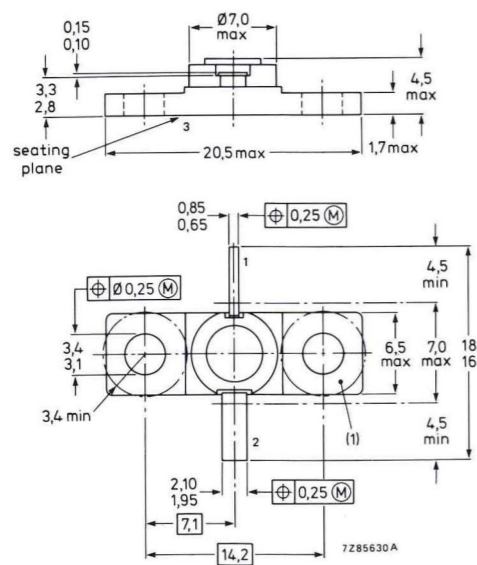
F057C



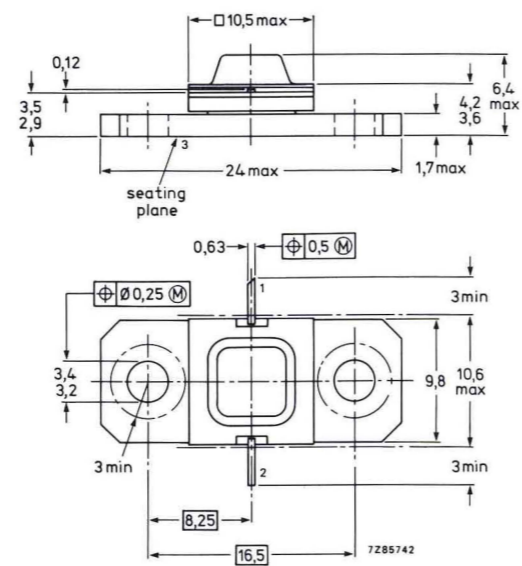
2F057C



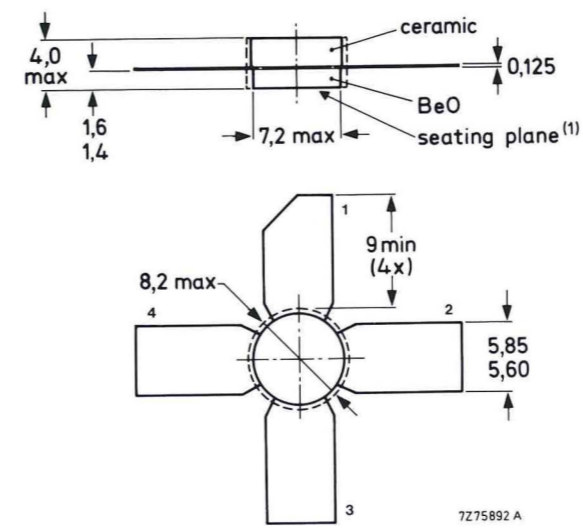
F053



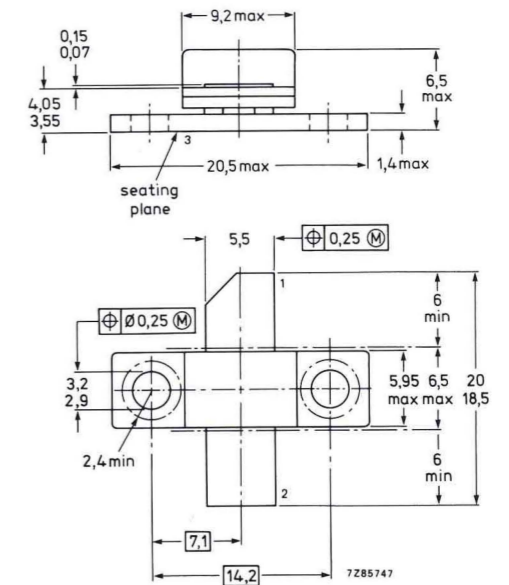
F057B



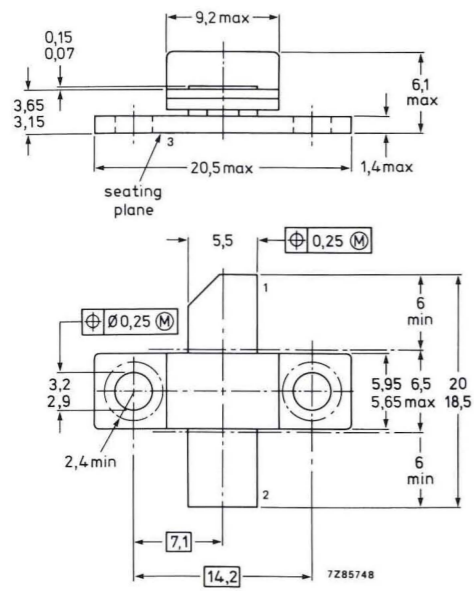
F058



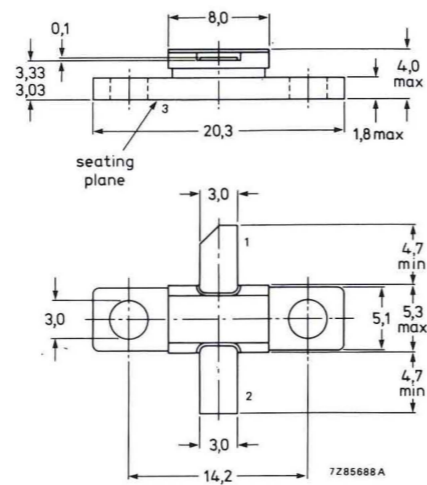
F067A



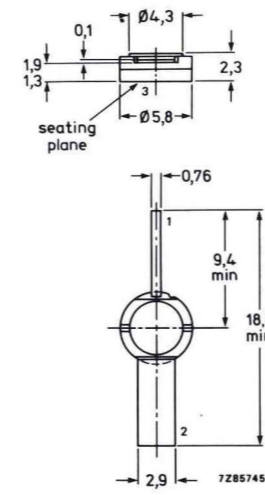
F067B



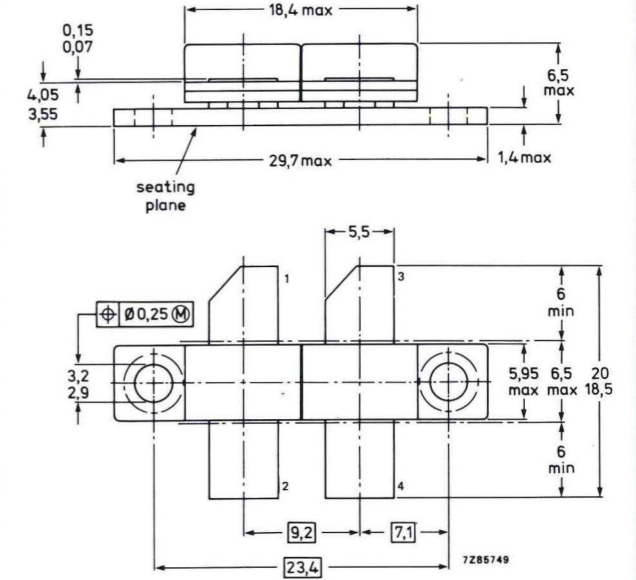
F083



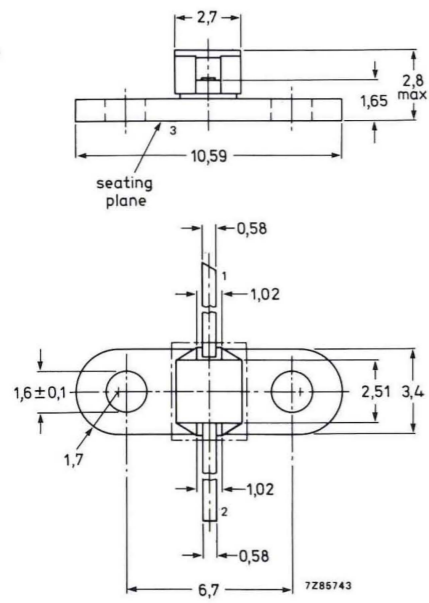
F093



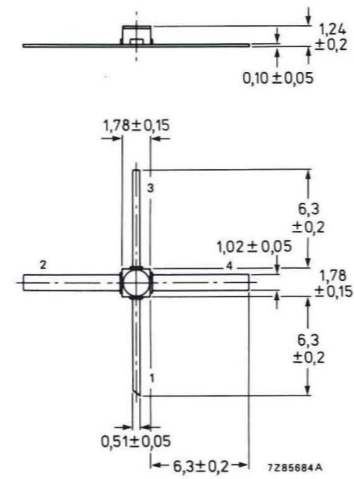
F096



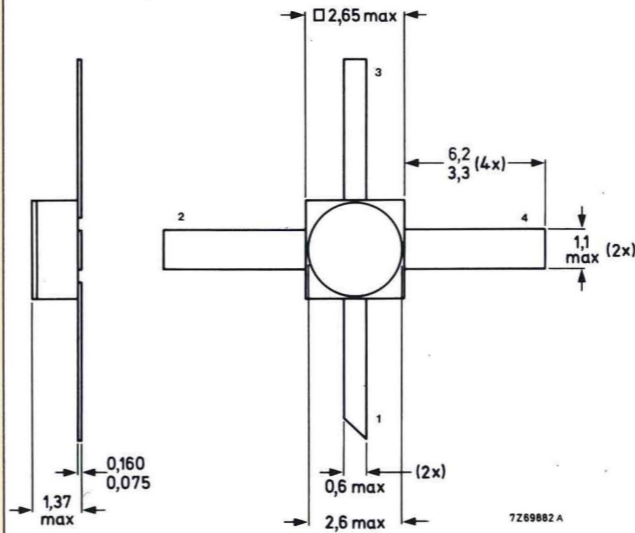
F085



F092



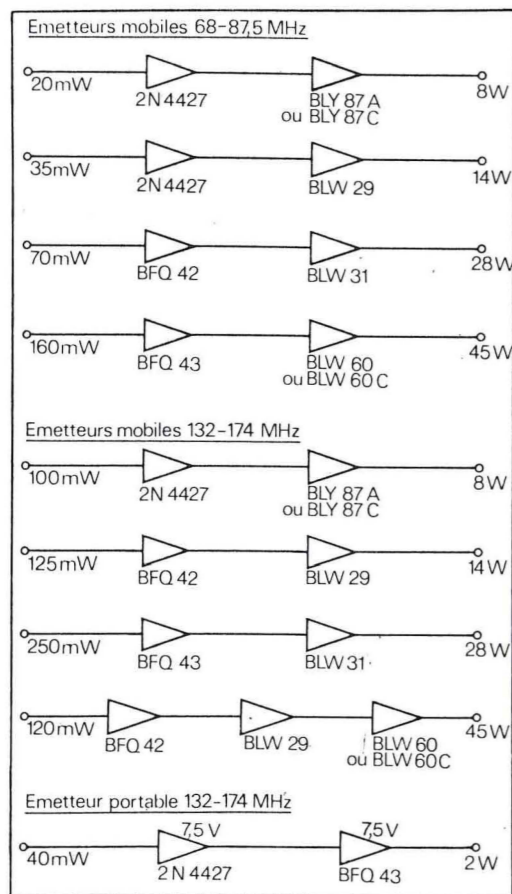
SOT100



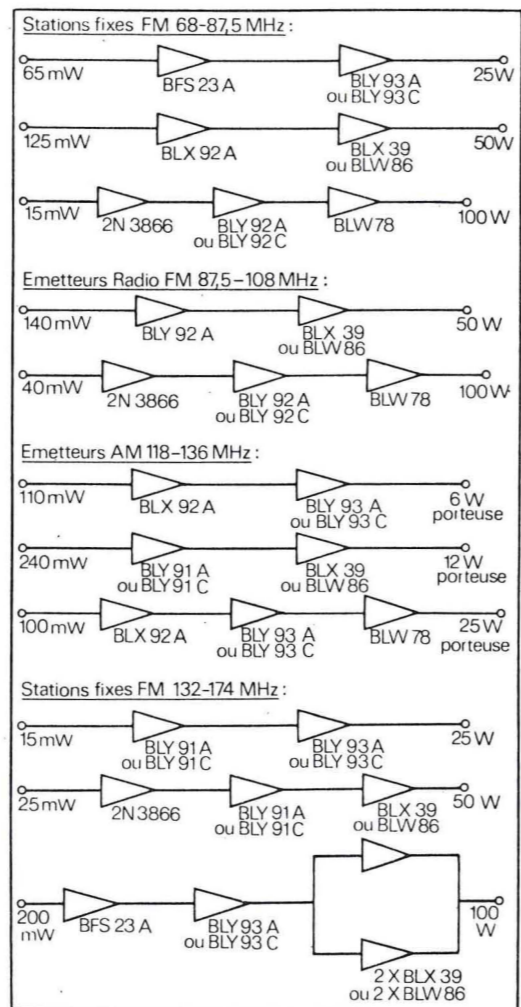
TRANSISTORS RF POUR ÉMISSION QUELQUES EXEMPLES D'APPLICATIONS

ÉMETTEURS VHF (25-174 MHz)

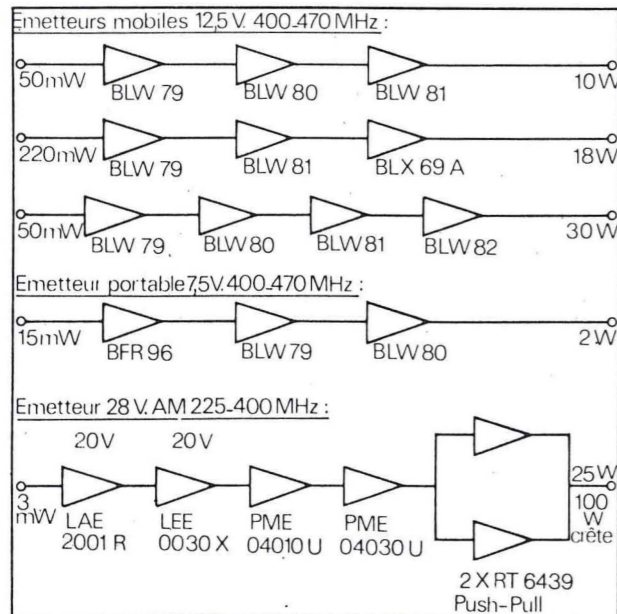
Gamme 12,5 - 13,5 V.



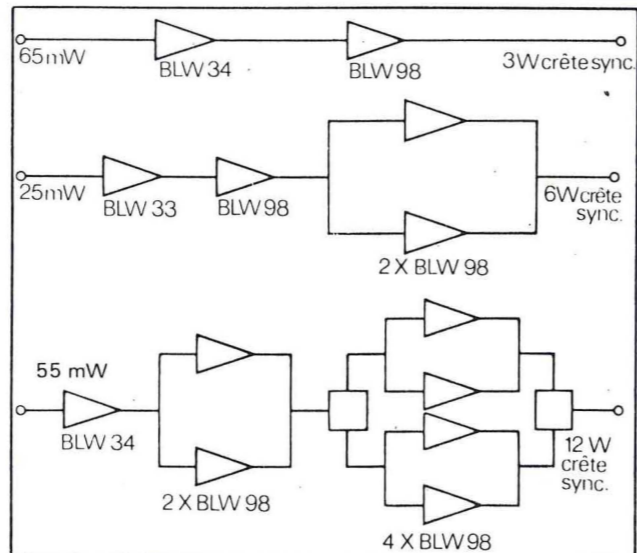
Gamme 28 V



ÉMETTEURS UHF (225-470 MHz)



ÉMETTEURS TV (470-860 MHz)



Pour tout renseignement complémentaire, appelez 355.44.99, poste 379 ou 437.

TRANSISTORS RF POUR ÉMISSION PRÉSENTATION DES GAMMES POUR ÉMETTEURS VHF - UHF - TV

ÉMETTEURS VHF 25 - 174 MHz

GAMMES 12,5 - 13,5 V

Pour réaliser des émetteurs mobiles avec des niveaux de sortie de 12 à 25 W, trois solutions sont envisageables à partir des gammes de produits proposées par RTC.

Gamme modernisée

On peut d'abord utiliser des transistors connus depuis quelques années et présentés en boîtier SOT 48, boîtier tourelle plastique 3/8" (8-32 ou 10-32).

Cette gamme de transistors a été modernisée puisque ceux-ci sont maintenant également proposés :

- soit en boîtier SOT 120, boîtier tourelle céramique 3/8",
- soit en boîtier SOT 123, boîtier céramique 3/8" à bride 4 connexions.

Plastique SOT 48	Céramique		Ps(W)
	SOT 120	SOT 123	
BLY 87 A	BLY 87 C		8
BLY 88 A	BLY 88 C		15
BLY 89 A	BLY 89 C	BLW 87	25
BLW 60	BLW 60 C	BLW 85	40

Les propriétés électriques des nouveaux types en boîtier céramique sont sensiblement identiques à celles des anciens types en boîtier plastique. Seul le BLY 87 C a un gain supérieur de 2 dB au BLY 87 A, ce qui rend ce nouveau produit compatible avec la gamme à haut gain.

Nouvelle gamme à haut gain

On peut également faire appel aux transistors d'une nouvelle gamme à gain élevé permettant souvent une réduction du nombre des étages amplificateurs.

Les caractéristiques essentielles des transistors de cette gamme sont données à 175 MHz dans le tableau suivant.

Types	Ps(W)	G(dB)	η (%)	Boîtier
BFQ 42	2	11	50	SOT 39
BLW 29	14	10	60	SOT 120
BFQ 43	4	12	60	SOT 39E
BLW 31	28	9	60	SOT 120

Modules amplificateurs

Il est enfin possible d'employer les modules amplificateurs 50 Ω - 50 Ω que RTC propose pour différentes bandes de fréquences et dont les caractéristiques essentielles sont résumées dans le tableau suivant.

2

Types	Bande de fréquences (MHz)	Ps min (W)	Pe (W)
BGY 32	65 - 80	18	0,10
BGY 33	80 - 108	18	0,10
BGY 35	132 - 156	18	0,15
BGY 36	148 - 174	18	0,15

GAMMES 28 V

Deux gammes 28 volts existent maintenant :

- l'une connue depuis quelques années et qui a été modernisée par la présentation de ses produits en version tourelle céramique et en version bride pour le 25 W,
- l'autre faisant appel à des cristaux nouveaux montés dans des boîtiers céramique.

Gamme modernisée

Plastique SOT 48	Céramique		Ps(W)
	SOT 120	SOT 123	
BLY 91 A	BLY 91 C		8
BLY 92 A	BLY 92 C		15
BLY 93 A	BLY 93 C	BLW 84	25

Nouvelle gamme

Types	Ps(W)	G(dB)	η (%)	Boîtier
BLX 39...	45	8	65	SOT 120
BLW 86...	45	8	60	SOT 123
BLW 78...	100	6	70	SOT 121*

* boîtier à bride 4 connexions 1/2"

Les caractéristiques des BLX 39 et BLW 86 correspondent à une fréquence de 170 MHz ; celles du BLW 78 correspondent à une fréquence de 144 MHz qui peut être considérée comme une fréquence limite pour ce transistor.

Tous les types des deux gammes 28 V conviennent pour les émetteurs à modulation d'amplitude ; la puissance porteuse obtenue est de l'ordre de 30 à 35 % de la puissance spécifiée en CW ou en FM.

ÉMETTEURS UHF 225 - 470 MHz

GAMME 12,5 - 13,5 V

RTC a développé une nouvelle série de transistors destinés aux émetteurs radio mobiles nécessitant des tensions d'alimentation de l'ordre de 12,5 à 13,5 volts.

Par rapport aux transistors de la gamme BLX 65 à 69 A, ces nouveaux types

présentent des gains et des puissances de sortie plus élevés.

On trouvera dans le tableau ci-dessous leurs caractéristiques essentielles à 470 MHz et 12,5 V.

Types	Ps(W)	G(dB)	η (%)	Boîtier
BLW 79...	2	9	60	SOT 122*
BLW 80...	4	8	60	SOT 122*
BLW 81...	10	6	60	SOT 122**
BLW 82...	30	5	65	SOT 119**

- * boîtier tourelle céramique 1/4"
- ** boîtier à bride 1/2" 6 connexions

Le type BLW 82 est préadapté en entrée.

GAMME 28 V

Pour les applications à 28 V large bande (225 - 400 MHz), les types LEE 0030X, RT 6105, PME 04010U, PME 04030U et RT 6439 sont recommandés. Leurs caractéristiques à 400 MHz font l'objet du tableau suivant.

Types	Ps(W)	G(dB)	η (%)	Classe
LEE 0030X	4,4	11,5	50	A
RT 6105...	30	6,5	70	B
PME 04010U	12	10	65	B
PME 04030U	32	8,5	60	B
RT 6439...	65	8,5		B

Les deux premiers de ces transistors sont présentés en boîtier tourelle céramique 1/4", les autres en boîtier céramique 1/2" à bride 6 connexions.

ÉMETTEURS TV BANDES IV ET V 470 - 860 MHz

Une nouvelle série de transistors fonctionnant dans cette bande de fréquence a été développée.

Tous les types de cette série fonctionnent en classe A à VCE = 25 V et sont présentés en boîtier tourelle céramique 1/4".

Types	Ps (W)	dim(dB)	G(dB)
BLW 32...	0,5	-60	12,5
BLW 33...	1	-60	10
BLW 34...	2	-60	10
BLW 98...	4	-60	7

Les BLW 32 et 33 sont les successeurs des BLX 96 et 97 et présentent un gain et un rendement plus élevés que ceux-ci.

Le BLW 98 est la version céramique du BLX 98 à gain plus élevé.

Enfin, le BLW 34 comble le vide qui existait entre 1 et 4 watts.

TRANSISTORS MICRO-ONDES DE PUISSANCE

FAMILLE 3 GHz VCE = 28 V - CLASSE B

Types	P _S (W)	G _p (dB)	η _c (%)	Boîtier
PKB 3000U.	0,6	8,5	29	(1)
PKB 3001U.	1,3	8,5	34	(1)
PKB 3003U.	3,5	7	35	(1)
PKB 3005U.	5,6	5,7	36	(1)
PNB 3000U.	0,6	8,5	29	(2)
PNB 3001U.	1,3	8,5	34	(2)
PNB 3003U.	3,5	7	35	(2)
PNB 3005U.	5,6	5,7	36	(2)
PNB 32000U.	0,6	8,5	29	(3)
PNB 32001U.	1,3	8,5	34	(3)
PNB 32003U.	3,5	7	35	(3)
PNB 32005U.	5,6	5,7	36	(3)

- (1) FO 53 bride largeur 6,35 mm
(2) FO 48, FO 53 sans bride
(3) FO 48 avec préadaptation

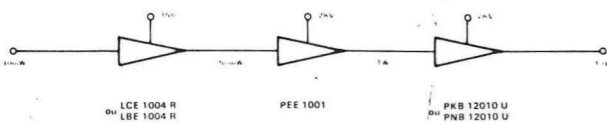
FAMILLE 4 GHz VCE = 28 V - CLASSE B

Types	P _S (W)	G _p (dB)	η _c (%)	Boîtier
PJB 4000U.	0,45	9	23	(1)
PJB 4001U.	1	6,5	30	(1)
PGB 4000U.	0,45	9	23	(2)
PGB 4001U.	1	6,5	30	(2)
PJB 38002U.	2	6	28	(3)
PJB 42000U.	0,45	9	23	(3)
PJB 42001U.	1	6,5	30	(3)
PJB 42002U.	2	6	20	(3)
PGB 38002U.	2	6	28	(4)
PGB 42000U.	0,45	9	23	(4)
PGB 42001U.	1	6,5	30	(4)
PGB 42002U.	2	6	20	(4)

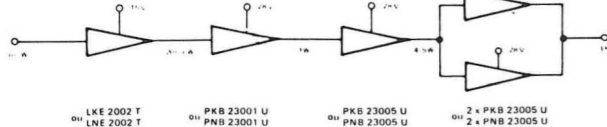
- (1) FO 41 bride largeur 5,1 mm
(2) FO 49, FO 41 sans bride
(3) FO 41 avec préadaptation
(4) FO 49 avec préadaptation

EXEMPLES D'APPLICATIONS

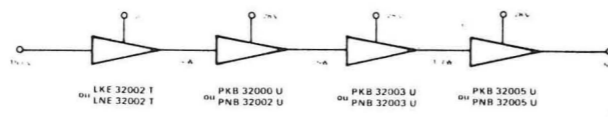
à 1 GHz



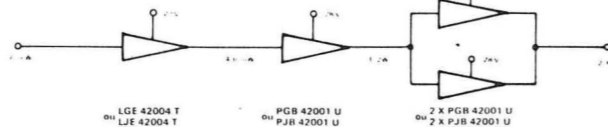
à 2 GHz



à 3 GHz



à 4 GHz



Pour tout renseignement complémentaire, appelez 355.44.99, poste 379 ou 437.

CIRCUITS INTÉGRÉS À LA DEMANDE

Afin de répondre aux besoins des utilisateurs de ses circuits intégrés, RTC met en œuvre une équipe chargée des circuits à la demande et du logiciel associé.

Cette équipe spécialisée est chargée d'accueillir les projets et de définir la filière la mieux adaptée.

Pour cela, elle bénéficie du support, tant technologique que logiciel, des centres industriels du groupe et des laboratoires d'applications.

Avec l'ECL, la TTL/LS et l'I₂L, RTC répond aux problèmes de vitesse, de con-

sommation et de densité dans le domaine des applications digitales.

Dans le domaine des applications linéaires, les technologies utilisées permettent d'atteindre des tensions d'alimentation de 80 V ainsi que des vitesses de fonctionnement allant jusqu'à 250 MHz.

Le procédé LOC MOS, disponible en Europe, présente, outre les avantages du C.MOS, une densité d'intégration et une vitesse plus élevées grâce à l'oxydation locale du silicium.

Le N.MOS grille silicium, à appauvrisse-

ment-enrichissement, constitue en alternative à l'I₂L une voie privilégiée pour les circuits LSI; cette technologie offre une grande souplesse d'interconnexions et une densité d'intégration pouvant atteindre 300 ports/mm².

En règle générale, toutes ces filières ont comme support une famille de circuits standard. Cela assure une grande stabilité dans les caractéristiques et la qualité et permet aux circuits à la demande de bénéficier des mêmes avantages économiques que les grandes familles standard.

TRANSISTORS MICRO-ONDES DE PUISSANCE

Dans le domaine des transistors micro-ondes de puissance, RTC a retenu un certain nombre d'options fondamentales brièvement exposées ci-dessous.

Structure interdigitée

Une telle structure permet d'obtenir des valeurs élevées pour les rapports périmètre émetteur sur surface émetteur et périmètre émetteur sur surface de base; elle crée une efficacité élevée des zones émetteurs.

Géométrie multicellulaire

Cette géométrie garantit une bonne répartition dans tout le cristal de la puissance dissipée et conduit à une faible résistance thermique.

Résistances en série avec les émetteurs

Une résistance série commune à deux doigts d'émetteur est obtenue en créant une zone P⁺ par diffusion de bore. Il y a donc deux fois moins de résistances séries qu'il y a de doigts d'émetteurs.

Ces résistances ayant un coefficient de température positif garantissent une bonne répartition du courant dans chaque zone d'émetteur et l'on obtient ainsi des transistors robustes acceptant des désadaptations éventuelles.

Base obtenue par implantation de bore

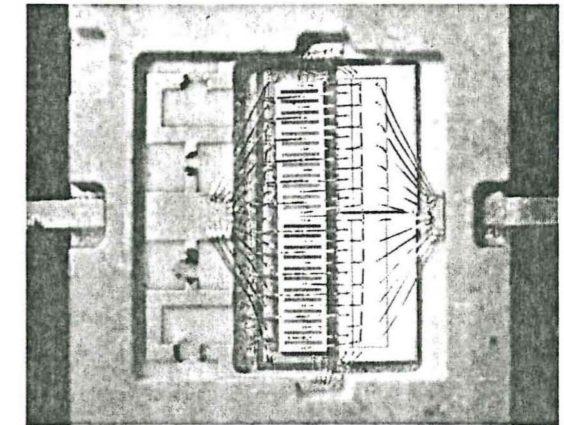
Des zones profondes P⁺ obtenues par diffusion de bore viennent prendre des contacts dans cette base et améliorent la tension de claquage entre base et collecteur.

Passivation par Si₃N₄

Une couche de nitrure de silicium déposée sur la totalité de la surface du cristal après diffusion de la base assure une meilleure stabilité des caractéristiques et améliore la définition de l'ouverture des zones d'émetteurs.

Emetteurs obtenus par diffusion d'arsenic

Cette diffusion est obtenue à partir d'oxyde dopé et permet la réalisation de profils abrupts.



Boîtier Ampac pour transistors micro-ondes.

Métallisation titane-platine-or

Cette métallisation est obtenue par la méthode dite de pelage ou « lift-off ». Le titane adhère parfaitement sur le nitrure de silicium; le platine sert de barrière à la diffusion de l'or; la bonne tenue en corrosion et la bonne conductibilité électrique sont assurées par l'or. De plus, lors des prises de contact, celles-ci se font or sur or.

Boîtiers céramique étanches

En herméticité, les boîtiers des familles 2, 3 et 4 GHz CW tiennent les normes URV - 6 - 3 - 62/608, NFC 20 600 et MIL STD 750.

Cela est dû, en particulier, à l'emploi d'un anneau d'alumine multicouche brasé sur le cuivre.

Pour la plupart, ces boîtiers permettent de réaliser une cellule de préadaptation interne en entrée au plus près du cristal actif à partir de capacités MOS et des inductances des fils de liaison dont les longueurs sont programmées lors du montage.

Une telle cellule augmente les impédances du cristal, rend l'utilisation du transistor plus aisée et améliore les caractéristi-

ques des amplificateurs large bande.

De plus, certains de ces boîtiers permettent de réaliser une cellule de préadaptation interne en sortie obtenue en partie avec des lignes sur céramique

A titre d'exemple, pour un cristal de 0,35 mm x 0,45 mm, on peut citer les valeurs suivantes :

- largeur des émetteurs = 1,25 μm
- pas entre émetteurs = 8 μm
- rapport périmètre émetteur (en mm) sur surface de base (en mm²) = 214 mm⁻¹

Pour les contacts, on arrive à des largeurs de doigt de 2,5 μm et à des intervalles de 1,5 μm.

Pour certains transistors de plus grandes dimensions (3,1 mm x 1,1 mm), on atteint des périmètres émetteur de 140 mm.

On trouvera dans les tableaux suivants les caractéristiques essentielles des transistors disponibles dans les familles 1, 2, 3 et 4 GHz.

Les transistors de la famille 2 GHz sont tous préadaptés en entrée.

Les transistors des familles 3 et 4 GHz sont préadaptés ou non préadaptés en entrée.

FAMILLE 1 GHz VCE = 28 V - CLASSE B

Types	P _S (W)	G _p (dB)	η _c (%)	Boîtier
PEE 1000U.	1	8	52	(1)
PEE 1001U.	2	6,4	60	(1)
PEE 1003U.	4,2	6,2	52	(1)
PEE 1005U.	7,6	5,8	58	(1)
PKB 12010U.	15	12	50	(2)
PNB 12010U.	15	12	50	(3)

- (1) FO 38 tourelle 1/4"
(2) FO 53 bride largeur 6,35 mm
(3) FO 48, FO 53 sans bride

FAMILLE 2 GHz VCE = 28 V - CLASSE B

Types	P _S (W)	G _p (dB)	η _c (%)	Boîtier
PKB 23001U.	1,5	7	32	(1)
PKB 23003U.	3,4	9,2	50	(1)
PKB 23005U.	8	7,2	53	(1)
PKB 20010U.	10	6	42	(1)
PNB 23001U.	1,5	7	32	(2)
PNB 23003U.	3,4	9,2	50	(2)
PNB 23005U.	8	7,2	53	(2)
PNB 20010U.	10	6	42	(2)

- (1) FO 53 bride largeur 6,35 mm
(2) FO 48, FO 53 sans bride